

Figure 1. The Photo of Actual ATI2202

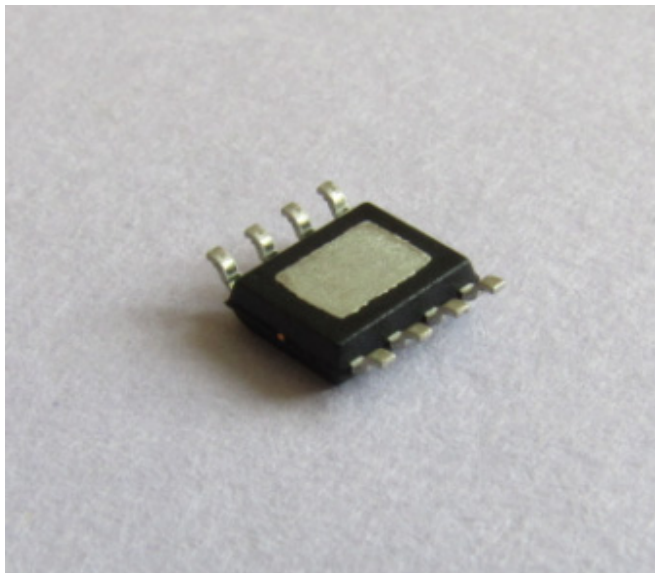


Figure 2. The Bottom View of ATI2202

FEATURES

- Input Voltage Range: 4.75V ~ 18V
- Output Voltage Adjustable Range: 0.923V ~ 0.9V_{IN}
- Output Current up to 2A
- Efficiency up to 93%
- Programmable Soft Start
- Over Current Protection
- Over Temperature Protection
- Input Under Voltage Lockout

- Integrated 0.13Ω Power MOSFET Switches
- 100% Lead (Pb) Free and RoHS Compliant
- Fixed Frequency: 340 kHz

APPLICATIONS

- LED Drive
- Low Noise Voltage Source/ Current Source
- Distributed Power Systems
- Networking Systems
- FPGA, DSP, ASIC Power Supplies
- Notebook Computers
- Green Electronics or Appliance

DESCRIPTION

ATI2202 is a 340kHz fixed frequency PWM synchronous step-down regulator. The ATI2202 is operated from 4.75V to 18V, the generated output is adjustable from 0.923V to 0.9V_{IN}, and the output current can be up to 2A.

The integrated two MOSFET switches have a turn on resistance of 0.13Ω. The current mode control provides fast transient response and cycle-by-cycle over current protection. The shutdown current is 1μA typical. Adjustable soft start prevents inrush current at turn on. The ATI2202 features an over temperature shutdown protection.

The ATI2202 is in a thermally enhanced SOP-8 package which comes with a heat sink solder pad underneath, and it is RoHS compliant and 100% lead (Pb) free.

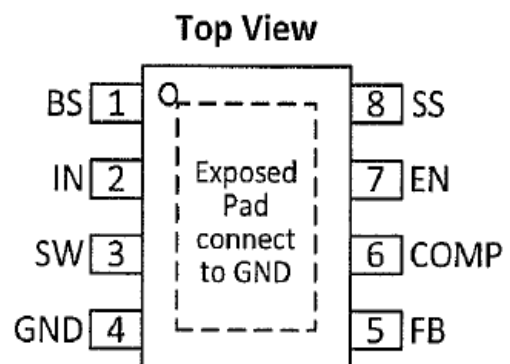


Figure 3. Pin Names and Locations

Figure 3 is the top view of the ATI2202, which also shows the pin names and locations. The pin functions are described in Table 1 below.

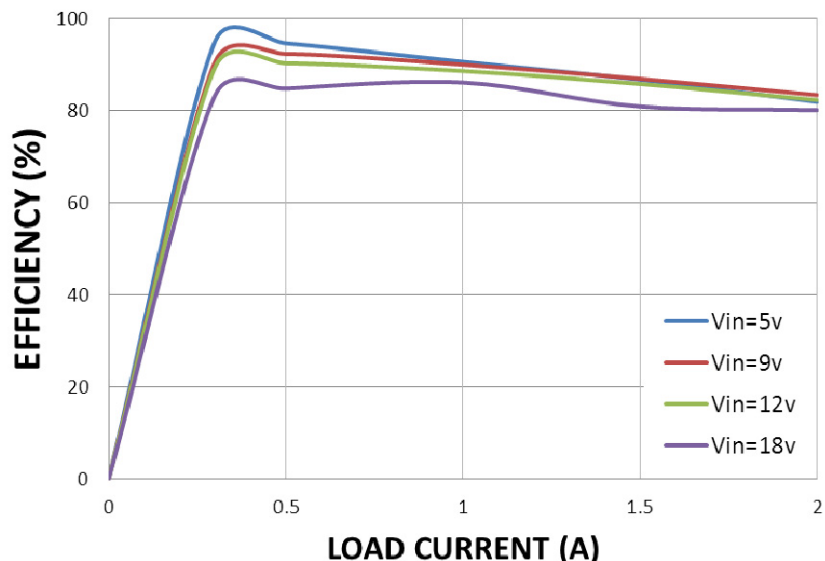
Efficiency vs Load Current (Vout=3.3V)


Figure 4. Efficiency vs. Load Current

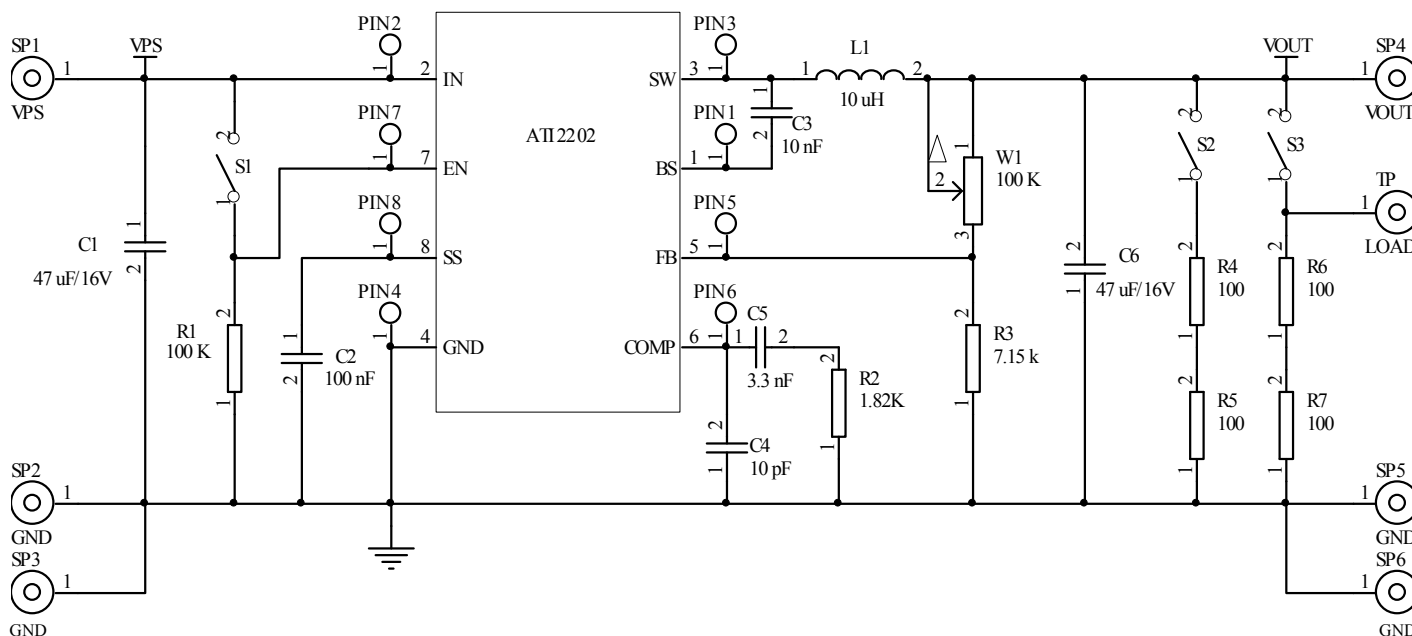


Figure 5. Typical Application Circuit

APPLICATION INFORMATION

The ATI2202 is a synchronous rectified, current-mode, step-down regulator. It regulates input voltages from 4.75V to 18V down to an output voltage as low as 0.923V, and supplies up to 2A of load current.

The ATI2202 uses current-mode control to regulate the output voltage. The output voltage is measured at FB through a resistive voltage divider and amplified through the internal transconductance error amplifier. The voltage at the COMP pin is compared to the switch current measured internally to control the output voltage.

The converter uses internal N-Channel MOSFET switches to step-down the input voltage to the regulated output voltage. Since the high side MOSFET requires a gate voltage greater than the input voltage, a boost capacitor connected between SW and BS is needed to drive the high side gate. The boost capacitor is charged from the internal 5V rail when SW is low.

When the ATI2202 FB pin exceeds 20% of the nominal regulation voltage of 0.923V, the over voltage comparator is tripped and COMP pin and SS pin are discharged to GND, forcing the high-side switch off.



Table 1. Pin Function Descriptions

Pin #	Name	Description
1	BS	High-side gate drive boost input. BS supplies the drive for the high-side N-Channel MOSFET switch. Connect a 0.01μF or greater capacitor from SW to BS to power the high side switch.
2	IN	Power input. IN supplies the power to the IC, as well as the step-down converter switches. Drive IN with a 4.75V to 18V power source. Bypass IN to GND with a suitably large capacitor to eliminate noise on the input to the IC.
3	SW	Power switching output. SW is the switching node that supplies power to the output. Connect the output LC filter from SW to the output load. Note that a capacitor is required from SW to BS to power the high-side switch.
4	GND	Ground.
5	FB	Feedback input. FB senses the output voltage to regulate that voltage. Drive FB with a resistive voltage divider from the output voltage. The feedback threshold is 0.923.
6	COMP	Compensation node. COMP is used to compensate the regulation control loop. Connect a series RC network from COMP to GND to compensate the regulation control loop. In some cases, an additional capacitor from COMP to GND is required.
7	EN	Enable input. EN is a digital input that turns the regulator on or off. Drive EN high to turn on the regulator, drive it low to turn it off. Pull up with 100kΩ resistor for automatic startup.
8	SS	Soft start control input. SS controls the soft start period. Connect a capacitor from SS to GND to set the soft-start period. A 0.1μF capacitor sets the soft-start period to 15ms. To disable the soft-start feature, leave SS unconnected.

ABSOLUTE MAXIMUM RATINGS

Supply Voltage V_{IN} 4.75V to +18V
 Switch Node V_{SW} 19V
 Boost V_{BS} $V_{SW}-0.3V$ to $V_{SW}+6V$
 All Other Pins -0.3V to +6V
 Junction Temperature +150°C
 Lead Temperature +260°C
 Operating Temperature Range ... -40°C to +85°C
 Storage Temperature Range..... -65°C to +150°C

CAUTION



Stresses above those listed in “Absolute Maximum Ratings” may cause permanent damage to the device. This is a stress only rating and operation of the device at these or any other conditions above those indicated in the operational sections of this specification is not implied.

ELECTRO-STATIC DISCHARGE SENSITIVITY

This integrated circuit can be damaged by ESD. It is recommended that all integrated circuits be handled with proper precautions. Failure to observe proper handling and installation procedures can cause damage. ESD damage can range from subtle performance degradation to complete device failure.

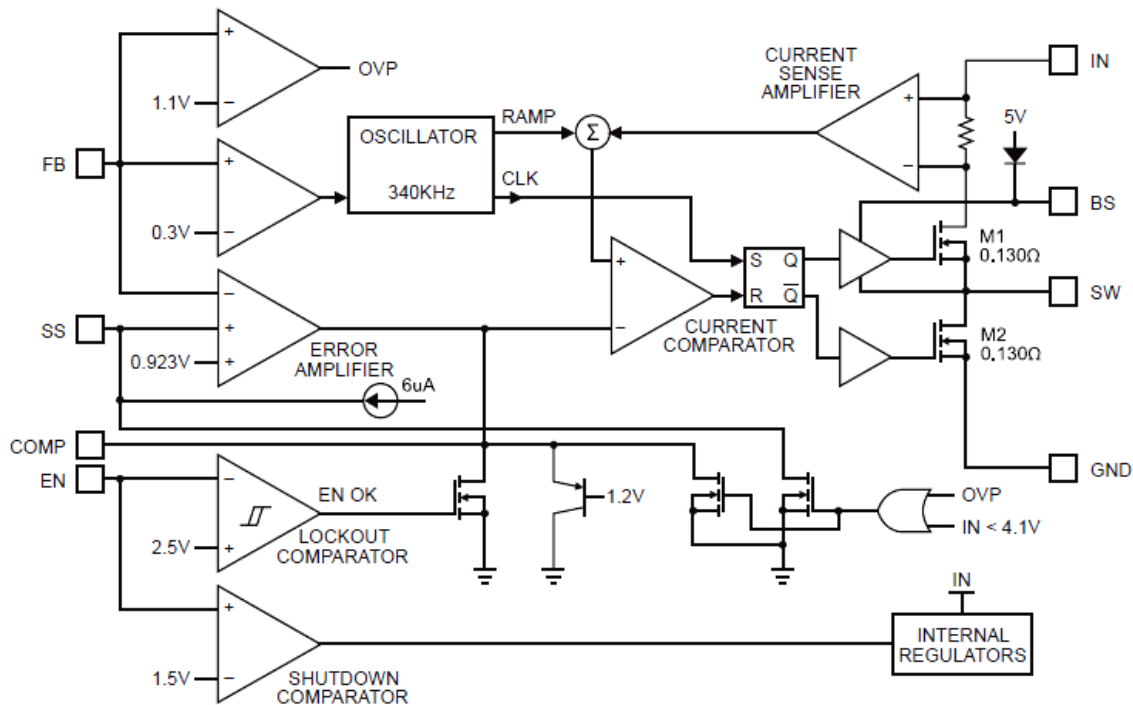


Figure 6. Block Diagram

PACKAGE THERMAL CHARACTERISTICS

Thermal Resistance, θ_{JA}42°C/W
 Thermal Resistance, θ_{JC}10°C/W

SPECIFICATIONS

Table 2. Characteristics ($T_A = +25^\circ\text{C}$, $V_{IN} = +12\text{V}$, unless otherwise noted.)

Parameter	Symbol	Test Conditions	MIN	TYP	MAX	Unit
Supply Voltage	V_{IN}		4.75		18	V
Output Voltage	V_{OUT}		0.923		$0.9V_{IN}$	V
Shutdown Supply Current		$V_{EN} = 0\text{V}$		1	3.0	μA
Supply Current		$V_{EN}=2.0\text{V}$, $V_{FB}=1.0\text{V}$		1.3	1.5	mA
Feedback Voltage	V_{FB}	$4.75\text{V} \leq V_{IN} \leq 18\text{V}$	0.900	0.923	0.946	V
Feedback Over-voltage Threshold				1.1		V
Error Amplifier Voltage Gain*	A_{EA}			400		V/V
Error Amplifier Transconductance	G_{EA}	$\Delta I_c = \pm 10\mu\text{A}$		800		$\mu\text{A/V}$
High-side Switch-on Resistance*	$R_{DS(ON)1}$			130		m Ω
Low-side Switch-on Resistance*	$R_{DS(ON)2}$			130		m Ω
High-side Switch Leakage Current		$V_{EN} = 0\text{V}$ $V_{SW} = 0\text{V}$			10	μA



Upper Switch Current Limit		Minimum duty cycle	2.4	3.4		A
Lower Switch Current Limit		From drain to source		1.1		A
COMP to Current Sense Transconductance	G _{CS}			3.5		A/V
Oscillation Frequency	F _{OSC1}			340		kHz
Short Circuit Oscillation Frequency	F _{OSC2}	V _{FB} = 0V		100		kHz
Maximum Duty Cycle	D _{MAX}	V _{FB} = 1.0V		90		%
Minimum On Time*				220		ns
EN Shutdown Threshold Voltage		V _{EN} rising	1.1	1.5	2.0	V
EN Shutdown Threshold Voltage Hysteresis				210		mV
EN Lockout Threshold Voltage			2.2	2.5	2.7	V
EN Lockout Hysteresis				210		mV
Input Under Voltage Lockout Threshold		V _{IN} rising	3.80	4.10	4.40	V
Input Under Voltage Lockout Threshold Hysteresis				2.10		mV
Soft-start Current		V _{SS} = 0V		6		μA
Soft-start Period		C _{SS} = 0.1μF		15		ms
Thermal Shutdown*				160		°C

* Guaranteed by design, not tested.

SETTING THE OUTPUT VOLTAGE

The output voltage is set using a resistive voltage divider from the output voltage to FB pin. The voltage divider divides the output voltage down to the feedback voltage by the ratio:

$$V_{FB} = V_{OUT} \times R3 / (W1 + R3)$$

Where V_{FB} is the feedback voltage and V_{OUT} is the output voltage.

Thus the output voltage is:

$$V_{OUT} = 0.923 \times (W1 + R3) / R3$$

R2 can be as high as 100kΩ, but a typical value is 10kΩ. Using the typical value for R2, R1 is determined by:

$$W1 = 10.83 \times (V_{OUT} - 0.923) \text{ (k}\Omega\text{)}$$

Note: W1 is a potentiometer.

INDUCTOR

The inductor is required to supply constant current to the output load while being driven by the switched input voltage. A larger value inductor will result in less ripple current that will result in lower output ripple voltage. However, the

larger value inductor will have a larger physical size, higher series resistance, and/or lower saturation current. A good rule for determining the inductance to use is to allow the peak-to-peak ripple current in the inductor to be approximately 30% of the maximum switch current limit. Also, make sure that the peak inductor current is below the maximum switch current limit. The inductance value can be calculated by:

$$L = [V_{OUT} / (f_s \times \Delta I_L)] \times (1 - V_{OUT} / V_{IN})$$

Where V_{OUT} is the output voltage, V_{IN} is the input voltage, f_s is the switching frequency, and ΔI_L is the peak-to-peak inductor ripple current.

Choose an inductor that will not saturate under the maximum inductor peak current. The peak inductor current can be calculated by:

$$I_{LP} = I_{LOAD} + [V_{OUT} / (2 \times f_s \times L)] \times (1 - V_{OUT} / V_{IN})$$

Where I_{LOAD} is the load current.

The choice of which style inductor to use mainly depends on the price vs. size requirements and any EMI requirements.

OPTIONAL SCHOTTKY DIODE

During the transition between high-side switch and low-side switch, the body diode of the low-side power MOSFET



conducts the inductor current. The forward voltage of this body diode is high. An optional Schottky diode may be paralleled between the SW pin and GND pin to improve

overall efficiency. Table 3 lists example Schottky diodes and their manufacturers.

Table 3. Diode Selection Guide

Part number	Voltage and current rating	Vendor
B130	30V, 1 A	Diodes, Inc.
SK13	30V, 1 A	Diodes, Inc.
MBRS130	30V, 1 A	International Rectifier

INPUT CAPACITOR

The input current to the step-down converter is discontinuous, therefore a capacitor is required to supply the AC current to the step-down converter while maintaining the DC input voltage. Use low ESR capacitors for the best performance. Ceramic capacitors are preferred, but tantalum or low-ESR electrolytic capacitors may also suffice. Choose X5R or X7R dielectrics when using ceramic capacitors.

Since the input capacitor (C₁) absorbs the input switching current it requires an adequate ripple current rating. The RMS current in the input capacitor can be estimated by:

$$I_{C1} = I_{LOAD} \times [(V_{OUT}/V_{IN}) \times (1 - V_{OUT}/V_{IN})]^{1/2}$$

The worst-case condition occurs at V_{IN} = 2 V_{OUT}, where I_{C1} = I_{LOAD} / 2. For simplification, choose the input capacitor whose RMS current rating greater than half of the maximum load current.

The input capacitor can be electrolytic, tantalum or ceramic. When electrolytic or tantalum capacitors are used, a small, high quality ceramic capacitor, i.e. 0.1µF, should be placed as close to the IC as possible. When using ceramic capacitors, make sure that they have enough capacitance to provide sufficient charge to prevent excessive voltage ripple at input. The input voltage ripple for low ESR capacitors can be estimated by:

$$\Delta V_{IN} = [I_{LOAD} / (C1 \times f_S)] \times (V_{OUT}/V_{IN}) \times (1 - V_{OUT}/V_{IN})$$

Where C1 is the input capacitance value.

OUTPUT CAPACITOR

The output capacitor is required to maintain the DC output voltage. Ceramic, tantalum, or low ESR electrolytic capacitors are recommended. Low ESR capacitors are preferred to keep the output voltage ripple low. The output voltage ripple can be estimated by:

$$\Delta V_{OUT} = [V_{OUT} / (f_S \times L)] \times (1 - V_{OUT}/V_{IN}) \times [R_{ESR} + 1 / (8 \times f_S \times C6)]$$

Where C6 is the output capacitance value and R_{ESR} is the equivalent series resistance (ESR) value of the output capacitor.

In the case of ceramic capacitors, the impedance at the switching frequency is dominated by the capacitance. The

output voltage ripple is mainly caused by the capacitance. For simplification, the output voltage ripple can be estimated by:

$$\Delta V_{OUT} = [V_{OUT} / (8 \times f_S^2 \times L \times C6)] \times (1 - V_{OUT}/V_{IN})$$

In case of tantalum or electrolytic capacitors, the ESR dominates the impedance at the switching frequency. For simplification, the output ripple can be approximated to:

$$\Delta V_{OUT} = [V_{OUT} / (f_S \times L)] \times (1 - V_{OUT}/V_{IN}) \times R_{ESR}$$

The characteristics of the output capacitor also affect the stability of the regulation system. The ZT7182 can be optimized for a wide range of capacitance and ESR values.

COMPENSATION COMPONENTS

ATI2202 employs current mode control for easy compensation and fast transient response. The system stability and transient response controlled through the COMP pin. COMP pin is the output of the internal transconductance error amplifier. A series capacitor and resistor combination sets a pole-zero combination to control the characteristics of the control system.

The DC gain of the voltage feedback loop is given by: A_{VDC} = R_{LOAD} × G_{CS} × A_{EA} × V_{FB} / V_{OUT}

When A_{EA} is the error amplifier voltage gain; G_{CS} is the current sense transconductance and R_{LOAD} is the load resistor value.

The system has two poles of importance. One is due to the compensation capacitor (C5) and the output resistor of the error amplifier, and the other is due to the output capacitor and the load resistor. These poles are located at:

$$f_{P1} = G_{EA} / (2\pi \times C5 \times A_{EA})$$

$$f_{P2} = 1 / (2\pi \times C6 \times R_{LOAD})$$

Where G_{EA} is the error amplifier transconductance.

The system has one zero of importance, due to the compensation capacitor (C5) and the compensation resistor (R2). This zero is located at:

$$F_{Z1} = 1 / (2\pi \times C5 \times R2)$$

The system may have another zero of importance, if the output capacitor has a large capacitance and/or a high ESR

value. The zero, due to the ESR and capacitance of the output capacitor, is located at:

$$f_{ESR} = 1 / (2\pi \times C6 \times R_{ESR})$$

In this case, a third pole set by the compensation capacitor (C4) and the compensation resistor (R2) is used to compensate the effect of the ESR zero on the loop gain. This pole is located at:

$$f_{p3} = 1 / (2\pi \times C4 \times R2)$$

The goal of compensation design is to shape the converter transfer function to get a desired loop gain. The system crossover frequency where the feedback loop has the unity gain is important. Lower crossover frequencies result in slower line and load transient responses, while higher crossover frequencies could cause system instability. A good rule of thumb is to set the crossover frequency below one-tenth of the switching frequency.

To optimize the compensation components, the following procedure can be used.

1. Choose the compensation resistor (R2) to set the desired crossover frequency.

Determine the R3 value by the following equation:

$$R3 = [(2\pi \times C6 \times f_c) / (G_{EA} \times G_{CS})] \times (V_{OUT} / V_{FB}) < [(2\pi \times C6 \times 0.1 \times f_s) / (G_{EA} \times G_{CS})] \times (V_{OUT} / V_{FB})$$

Where f_c is the desired crossover frequency, which is typically below one tenth of the switching frequency.

2. Choose the compensation capacitor (C3) to achieve the

desired phase margin. For applications with typical inductor values, setting the compensation zero, f_{z1} , below one-fourth of the crossover frequency provides sufficient phase margin.

Determine the C5 value by the following equation: $C5 > 4 / (2\pi \times R2 \times f_c)$

Where R3 is the compensation capacitor.

3. Determine if the second compensation capacitor (C4) is required. It is required if the ESR zero of the output capacitor is located at less than half of the switching frequency, or the following relationship is valid:

$$1 / (2\pi \times C6 \times R_{ESR}) < f_s / 2$$

If this is the case, then add the second compensation capacitor (C4) to set the pole f_{p3} at the location of the ESR zero. Determine the C4 value by the equation:

$$C4 = (C6 \times R_{ESR}) / R2$$

EXTERNAL BOOTSTRAP DIODE

An external bootstrap diode may enhance the efficiency of the regulator, the applicable conditions of external BS diode are:

- $V_{OUT} = 5V$ or $3.3V$;
- Duty cycle is high: $D = V_{OUT} / V_{IN} > 65\%$

In these cases, an external BS diode is recommended from the output of the voltage regulator to BS pin, as shown in Figure 7

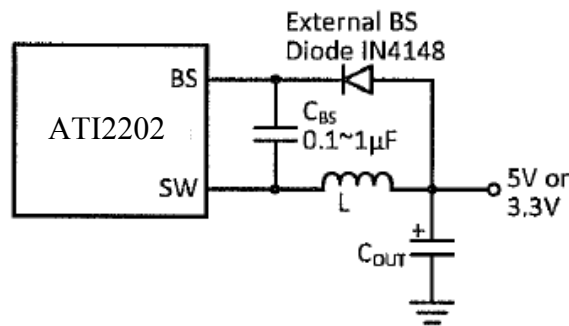


Figure 7. Add Optional External Bootstrap Diode

The recommended external BS diode is IN4148, and the BS capacitor is 0.1~1µF.

When $V_{IN} \leq 6V$, for the purpose of promote the efficiency, it can add an external Schottky diode between IN and BS pins, as shown in Figure 8.

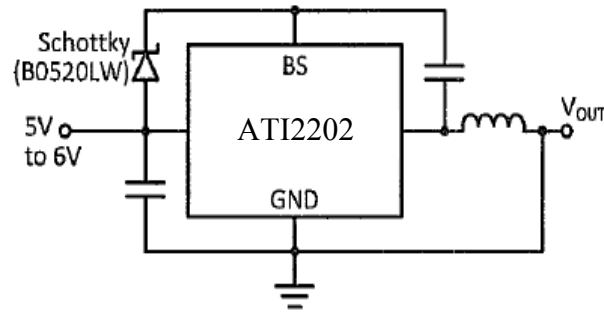


Figure 8. Add a Schottky Diode

PCB LAYOUT GUIDE

PCB layout is very important to achieve stable operation. Please follow the guidelines below.

- (1) Keep the path of switching current short and minimize the loop area formed by Input capacitor, high-side MOSFET and low-side MOSFET.
- (2) Bypass ceramic capacitors are suggested to be put close to the V_{IN} pin.

- (3) Ensure all feedback connections are short and direct. Place the feedback resistors and compensation components as close to the chip as possible.
- (4) Rout SW away from sensitive analog areas such as FB.
- (5) Connect IN, SW, and especially GND respectively to a large copper area to cool the chip to improve thermal performance and long-term reliability.

PACKAGE DIMENSIONS SOP8 (EP)

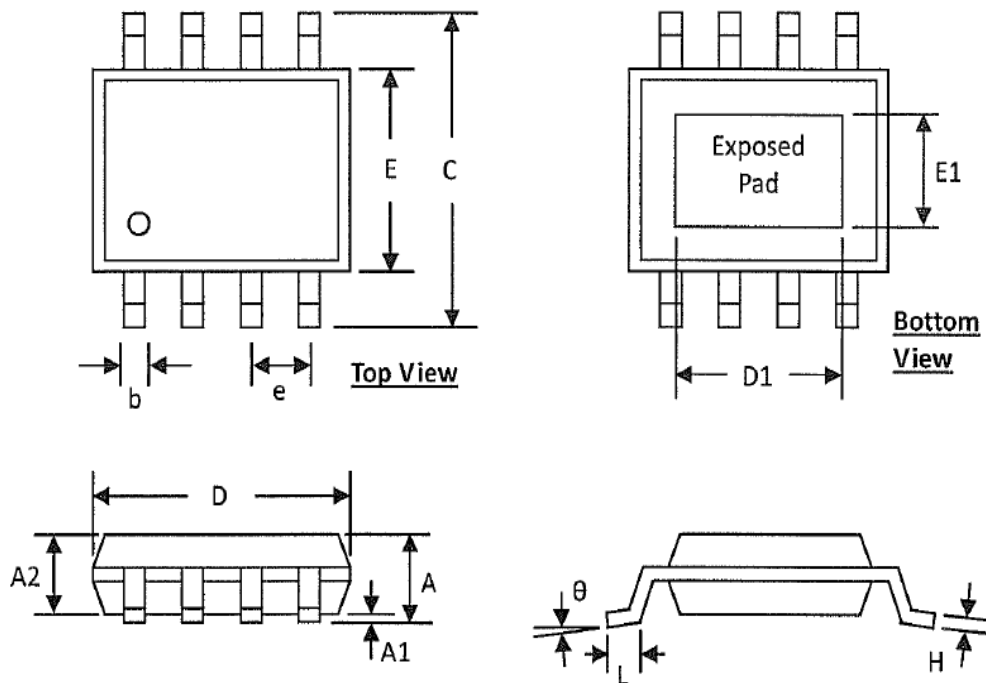


Figure 9. Dimensions of ATI2202



Table 4.

Symbols	Dimension (mm)		Dimension (inch)	
	MIN	MAX	MIN	MAX
A	1.30	1.70	0.051	0.067
A1	0.00	0.15	0.000	0.006
A2	1.25	1.52	0.049	0.060
b	0.33	0.51	0.013	0.020
c	5.80	6.20	0.228	0.244
D	4.80	5.11	0.189	0.201
D1	3.15	3.45	0.124	0.136
E	3.80	4.00	0.150	0.157
E1	2.26	2.56	0.089	0.101
e	1.27BSC		0.050BSC	
H	0.19	0.25	0.0075	0.0098
L	0.41	1.27	0.016	0.050
θ	0°	8°	0°	8°

ORDERING INFORMATION

Table 5. Unit Price of ATI2202

Quantity	1 - 4	5 - 24	25 - 99	≥100
ATI2202	\$1.28	\$1.20	\$1.12	\$0.98

NOTICE

- ATI reserves the right to make changes to its products or to discontinue any product or service without notice, and advise customers to obtain the latest version of relevant information to verify, before placing orders, that information being relied on is current and complete.
- All products are sold subject to the terms and conditions of sale supplied at the time of order acknowledgment, including those pertaining to warranty, patent infringement, and limitation of liability. Testing and other quality control techniques are utilized to the extent ATI deems necessary to support this warranty. Specific testing of all parameters of each device is not necessarily performed, except those mandated by government requirements.
- Customers are responsible for their applications using ATI components. In order to minimize risks associated with the customers' applications, adequate design and operating safeguards must be provided by the customers to minimize inherent or procedural hazards. ATI assumes no liability for applications assistance or customer product design.
- ATI does not warrant or represent that any license, either expressed or implied, is granted under any patent right, copyright, mask work right, or other intellectual property right of ATI covering or relating to any combination, machine, or process in which such products or services might be or are used. ATI's publication of information regarding any third party's products or services does not constitute ATI's approval, warranty or endorsement there of.
- IP (Intellectual Property) Ownership: ATI retains the ownership of full rights for special technologies and/or techniques embedded in its products, the designs for mechanics, optics, plus all modifications, improvements, and inventions made by ATI for its products and/or projects.