

Figure 1. Front View

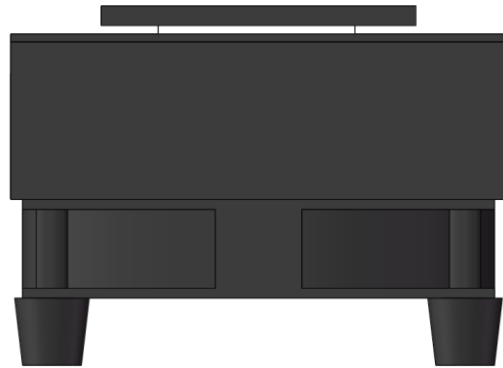


Figure 4. Back View

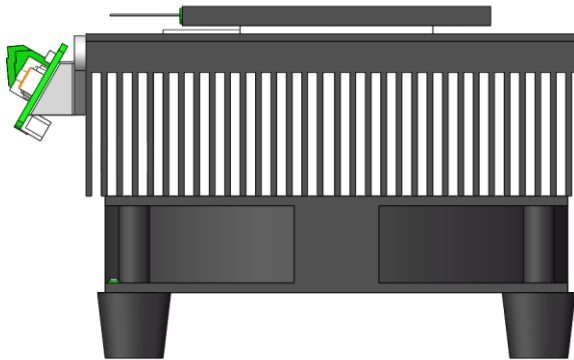


Figure 2. Side View

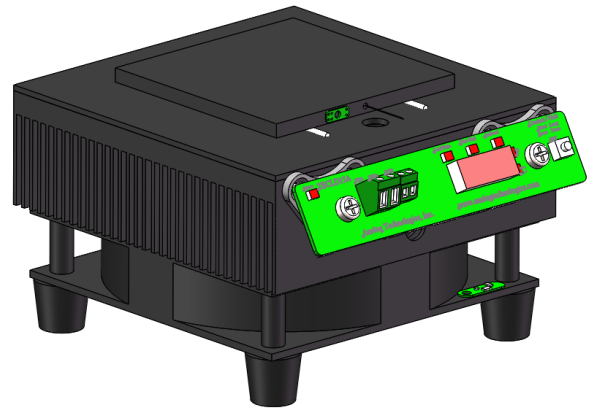


Figure 5. Stereoscopic View

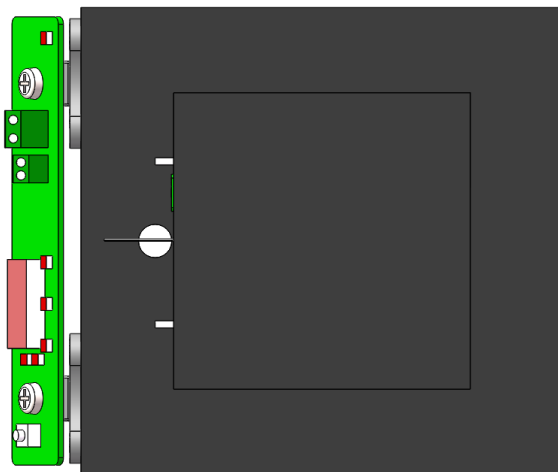


Figure 3. Top View

MAIN FEATURES

- Input voltage: 5VDC \pm 5%
- Max. TEC current: 15ADC
- Large platform for thermal load: 80mm \times 80mm \times 5mm
- Wide temperature regulation range: 0 $^{\circ}$ C to 110 $^{\circ}$ C
- Accurate temperature stability: 0.1
- Display of temperatures
- Easy to use
- 100 % Lead (Pb)-free and RoHS Compliant

APPLICATIONS

It can be used for evaluating TEC controllers, TECs and heat sink, etc. Also, when working with our TEC controller and evaluation board, it can stabilize an object's temperature for scientific experiments.

DESCRIPTION

The TECLD15A is a TEC controller load assembly that comes with one TEC module, one heat sink, one high efficiency fan on the hot side, and one large-size platform, etc. A digital display shows the temperature of the cold plate and the heat sink, and the ambient temperature.

Note: The platform is made of 6063 aluminum alloy. The material, size and shape of the platform and the specifications of the TEC module can be customized.

OPERATING PRINCIPLE

1. After powering on, the assembly displays the temperature at the unit of $^{\circ}$ C. Long press the button to convert the unit.
2. Short press the switch to display the temperature of the test point in turn.

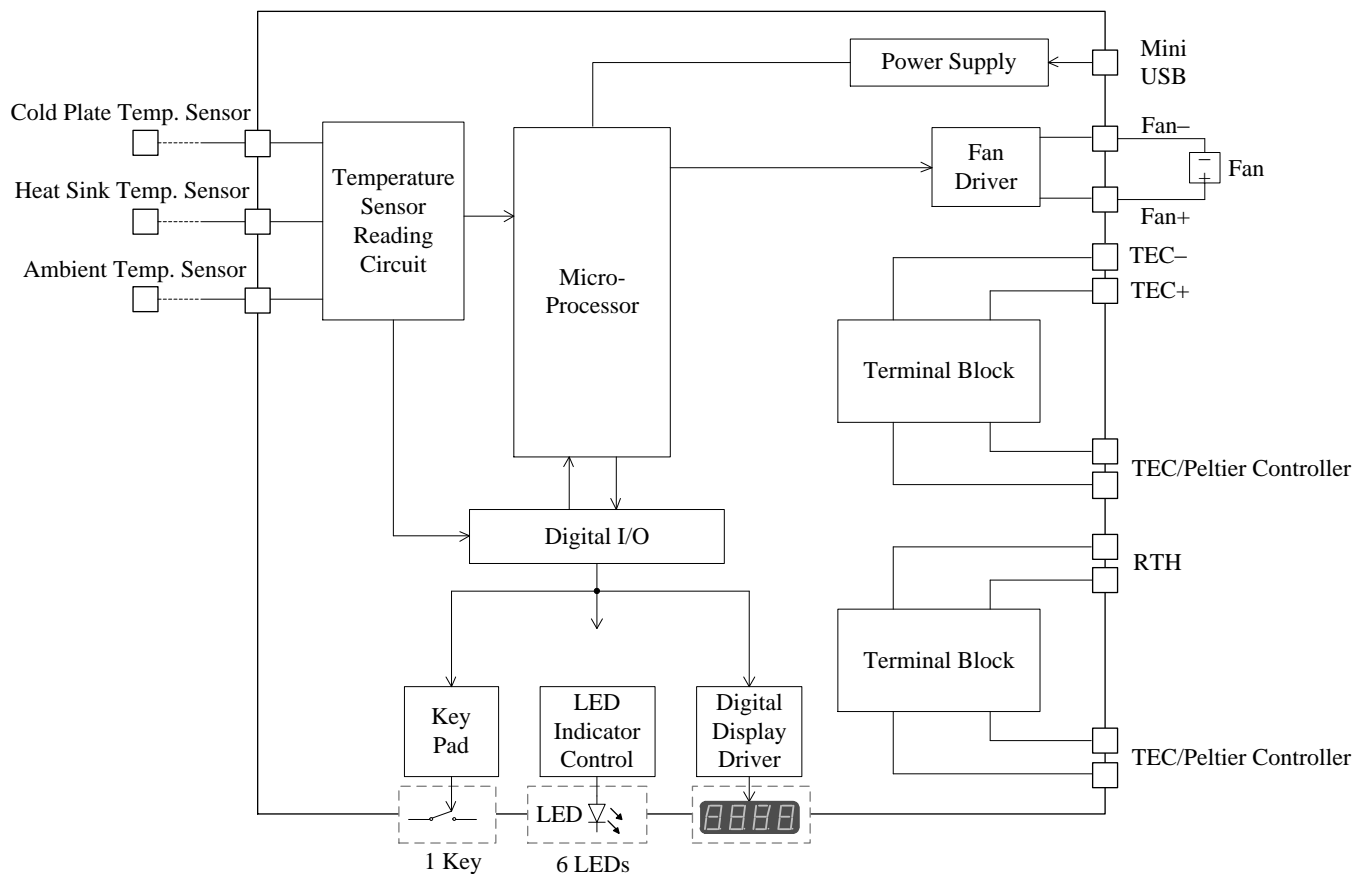


Figure 6. Block Diagram

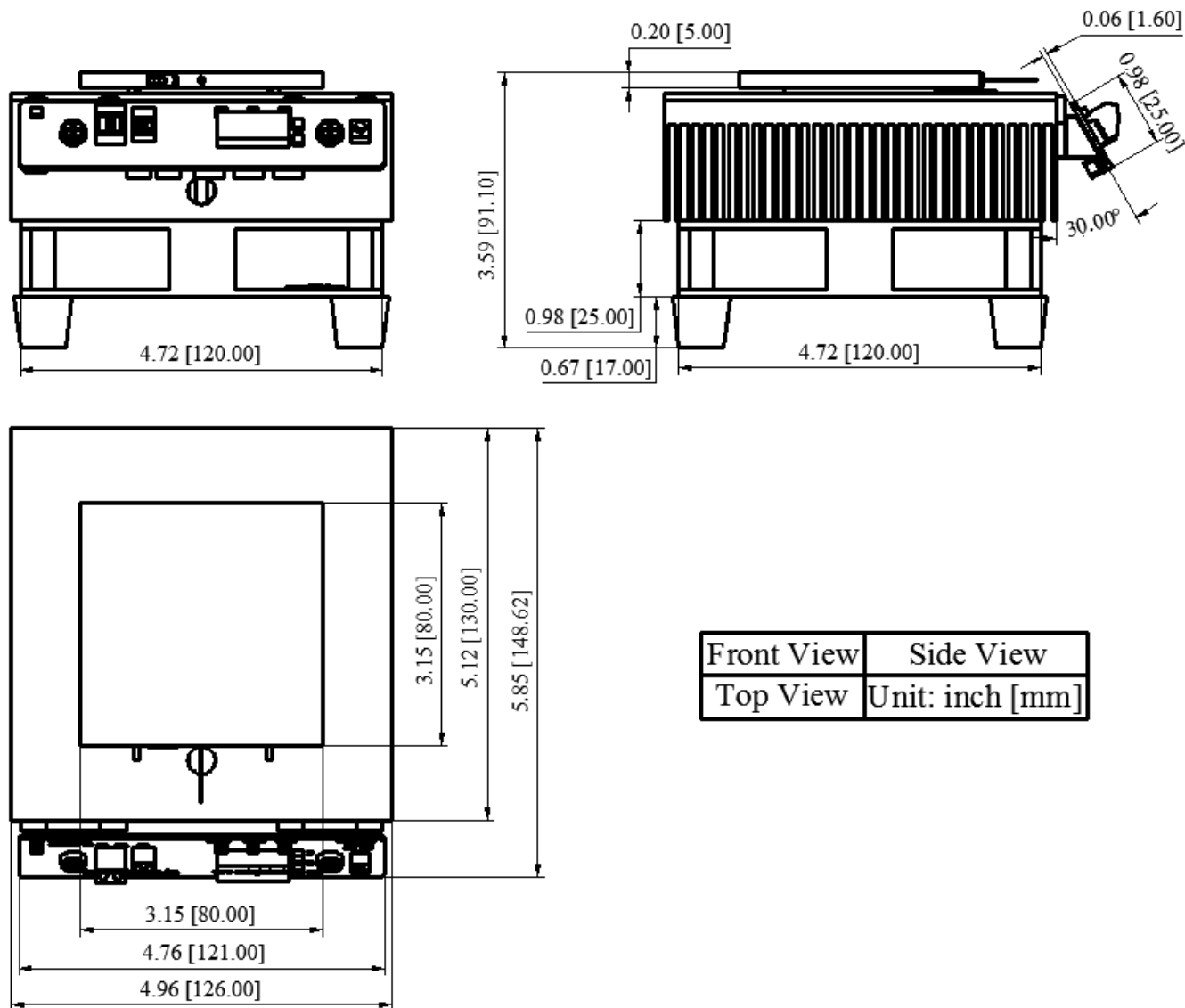


Figure 7. Mechanical Dimensions

NOTICE

- ATI reserves the right to make changes to its products or to discontinue any product or service without notice and advise customers to obtain the latest version of relevant information to verify, before placing orders, that information being relied on is current and complete.
- ATI reserves the right to make changes to its products or to discontinue any product or service without notice, and advise customers to obtain the latest version of relevant information to verify, before placing orders, that information being relied on is current and complete.
- All products are sold subject to the terms and conditions of sale supplied at the time of order acknowledgment, including those pertaining to warranty, patent infringement, and limitation of liability. Testing and other quality control techniques are utilized to the extent ATI deems necessary to support this warranty. Specific testing of all parameters of each device is not necessarily performed, except those mandated by government requirements.
- Customers are responsible for their applications using ATI components. In order to minimize risks associated with the customers' applications, adequate design and operating safeguards must be provided by the customers to minimize inherent or procedural hazards. ATI assumes no liability for applications assistance or customer product design.



5. ATI does not warrant or represent that any license, either expressed or implied, is granted under any patent right, copyright, mask work right, or other intellectual property right of ATI covering or relating to any combination, machine, or process in which such products or services might be or are used. ATI's publication of information regarding any third party's products or services does not constitute ATI's approval, warranty or endorsement thereof.
6. IP (Intellectual Property) Ownership: ATI retains the ownership of full rights for special technologies and/or techniques embedded in its products, the designs for mechanics, optics, plus all modifications, improvements, and inventions made by ATI for its products and/or projects.